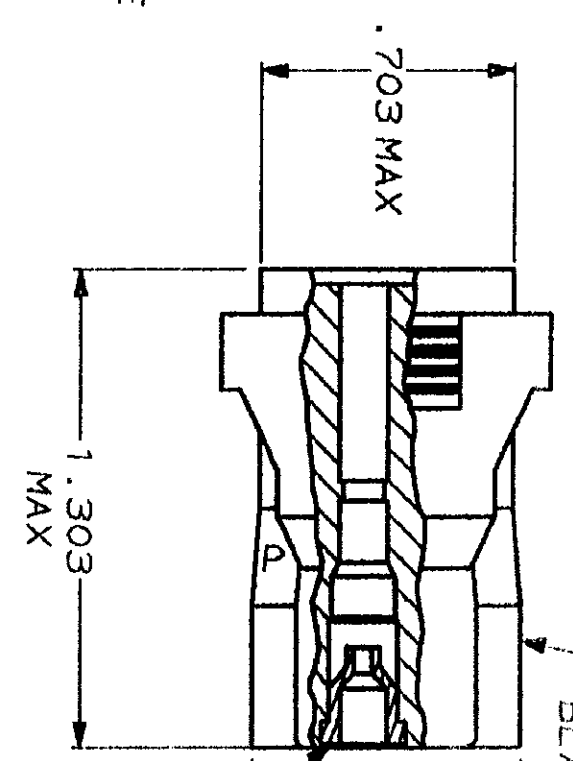


MATING FACE



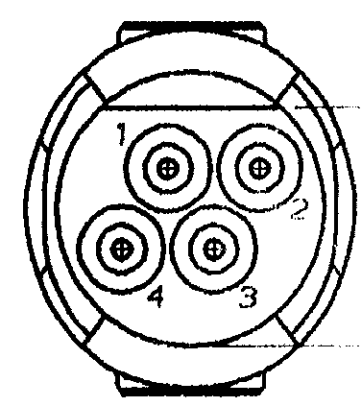
.703 MAX

1.303 MAX

HOUSING MATERIAL: THERMOPLASTIC BLACK

.712 ± .020

DISCRETE WIRE SEALS MATERIAL: ELASTOMER BLACK



.617 ± .020

1. WIRE INSULATION SEALING RANGE .070-.130 DIA.
2. THIN MEMBRANE PERMISSIBLE ON SMALL DIAMETER OF WIRE SEALS.

DO NOT SCALE PRINT. UNLESS SPECIFIED DIMENSIONS IN INCHES TOLERANCES ON:		DR 8-18-90	CHK J. Sullivan	NAME
1 P/LC DEC #	2 P/LC DEC #	3 P/LC DEC #	4 ANGLES	AMP INCORPORATED Harrisburg, Pa. 17105
MATERIAL: SEE CALLOUT		APPD J. Baver	DATE 1-18-91	PLUG, 4 POSITION, STANDARD CIRCULAR SEALED CONNECTOR
FINISH: -		APPD G. Johnson	DATE 1/21/91	AMP INCORPORATED
APPLICATION SPEC		PRODUCT SPEC	SCALE B	FSCH NO 00779
WEIGHT		SCALE 2:1	DRAWING NO 207571	SHEET 1 OF 1

207571-1
PART NUMBER